



Electric Counterbalance Trucks

E35 – E50

Capacity 3.5 t – 5.0 t | Series 1254

PB ION

Comfort

The ergonomic steering wheel ensure an effortless operation. Double pedal control facilitates rapid reversing without the need to change foot positions. A wide seat selection is available for better ergonomics and comfort. The high and wide operator overhead guard affords a spacious working area.

Safety

Safe operation is ensured thanks to outstanding visibility and a wide range of safety options. Enhanced visibility contributes to safe operations and high productivity. An automatic parking brake provides protection against unintentional rolling.

Stability

Enhanced residual capacities allow for lifting at the highest lift heights. The low center of gravity and high-mounted steering axle work together to improve stability during cornering.

Reliability

The Linde combi steer axle and twin motor front-wheel drive provide outstanding manoeuvrability, even in tight spaces.

Performance

The Linde Load Control enables precise control of hydraulic functions. Dual pedal control allows for quick reversing. Improved all-around visibility promotes fast and productive operations.

TECHNICAL DATA (according to VDI 2198)

	1.1		Linde MH	Linde MH	Linde MH	Linde MH	Linde MH	
	1.2	Manufacturer (short name)	E35/600 H	E40/600 H	E40/600 HL	E45/600 H	E45/600 HL	
Characteristics	1.2a	Manufacturer's model designation						
	1.2a	Series	1254-01	1254-01	1254-01	1254-01	1254-01	
	1.3	Drive	Battery	Battery	Battery	Battery	Battery	
	1.4	Operation	Seated	Seated	Seated	Seated	Seated	
	1.5	Load capacity/load	Q (t)	3.5	4.0	4.0	4.5	4.5
	1.6	Load centre distance	c (mm)	600	600	600	600	600
	1.8	Load spacing	x (mm)	500.2	510.2	510.2	510.2	510.2
	1.9	Wheel base	y (mm)	1925	1925	2070	1925	2070
	Weights	2.1	Empty weight	kg	6687 ¹⁾	7033 ¹⁾	7092 ¹⁾	7512 ¹⁾
2.2		Axle load with load, front/rear	kg	9042/1145	9905/1128	9917/1175	10,727/1285	10,702/1233
2.3		Axle weight without front/rear load	kg	3542/3145 ¹⁾	3598/3435 ¹⁾	3772/3320 ¹⁾	3632/3880 ¹⁾	3789/3646 ¹⁾
Wheels/Tyres	3.1	Tyres solid rubber, SE, pneumatic, polyurethane		SE	SE	SE	SE	SE
	3.2	Tyre size, front		355/50-15	355/50-15	355/50-15	355/50-15	355/50-15
	3.3	Tyre size, rear		225/75-10 (23x9-10)	225/75-10 (23x9-10)	225/75-10 (23x9-10)	225/75-10 (23x9-10)	225/75-10 (23x9-10)
	3.5	Wheels, number front/rear (x = driven)		2x/2	2x/2	2x/2	2x/2	2x/2
	3.6	Track width, front	b10 (mm)	1159	1159	1159	1159	1159
	3.7	Track width, rear	b11 (mm)	1081	1081	1081	1081	1081
	Dimensions	4.1	Mast/fork carriage tilt, forward/backward	α/β (°)	5.0/8.0	5.0/8.0	5.0/8.0	5.0/8.0
4.2		Height of mast, lowered	h1 (mm)	2419	2419	2419	2419	2419
4.3		Free lift	h2 (mm)	150	150	150	150	150
4.4		Lift	h3 (mm)	3100	3100	3100	3100	3100
4.5		Height of mast, extended	h4 (mm)	4017	4017	4017	4017	4017
4.7		Height above overhead guard (cabin)	h6 (mm)	2415	2415	2415	2415	2415
4.8		Seat height relative to SIP/stand height	h7 (mm)	1294	1294	1292	1294	1292
4.12		Clutch height	h10 (mm)	677	676	676	676	675
4.19		Overall length	l1 (mm)	3966	3976	4101	3976	4101
4.20		Length including fork backs	l2 (mm)	2766	2776	2901	2776	2901
4.21		Overall width	b1/b2 (mm)	1454	1454	1454	1454	1454
4.22		Prong dimensions DIN ISO 2331	s/e/l (mm)	50 × 120 × 1200	60 × 130 × 1200	60 × 130 × 1200	60 × 130 × 1200	60 × 130 × 1200
4.23		Fork carriage ISO 2328, class/type A, B		3A	3A	3A	3A	3A
4.24		Fork carriage width	b3 (mm)	1350	1350	1350	1350	1350
4.31		Ground clearance under mast	m1 (mm)	159	159	159	158	158
4.32		Ground clearance, centre of wheelbase	m2 (mm)	162	161	161	160	160
4.34.1		Working aisle width for pallet 1000 × 1200 crossways	Ast (mm)	4082 ²⁾	4091 ²⁾	4216 ²⁾	4091 ²⁾	4216 ²⁾
4.34.2		Working aisle width with pallet 800 × 1200 lengthways	Ast (mm)	4213 ²⁾	4222 ²⁾	4347 ²⁾	4222 ²⁾	4347 ²⁾
4.35		Turning radius	Wa (mm)	2266	2266	2391	2266	2391
4.36	Smallest pivoting distance	b13 (mm)	0	0	0	0	0	
Performance	5.1	Travel speed, with/without load	km/h	20/20	20/20	20/20	20/20	20/20
	5.2	Lifting speed, with/without load	m/s	0.51/0.55	0.47/0.55	0.47/0.55	0.43/0.55	0.43/0.55
	5.3	Lowering speed, with/without load	m/s	0.54/0.55	0.55/0.55	0.55/0.55	0.55/0.55	0.55/0.55
	5.5	Tractive force, with/without load	N	6500/6500	6500/6500	6500/6500	6500/6500	6500/6500
	5.6	Maximum tractive force, with/without load	N	19,000/19,000	19,000/19,000	19,000/19,000	19,000/19,000	19,000/19,000
	5.7	Climbing ability, with/without load	%	11.0/19.0	10.0/18.0	10.0/17.0	9.0/16.0	9.0/16.0
	5.8	Maximum climbing ability, with/without load	%	19.2/31.2	17.5/29.4	17.4/29.1	15.9/27.2	16.0/27.6
	5.9	Acceleration time, with/without load	s	5.7/5.0	5.9/5.0	5.9/5.1	6.1/5.2	6.0/5.1
	5.10	Service brake		mech./elect.	mech./elect.	mech./elect.	mech./elect.	mech./elect.
	Drive	6.1	Drive motor, output with S2 60 min	kW	2x 12.5	2x 12.5	2x 12.5	2x 12.5
6.2		Lift motor rating at S3 15%	kW	28	28	28	28	28
6.3		Battery compliant with DIN 43531/35/36 A, B, C, no		43 536 A	43 536 A	43 536 A	43 536 A	43 536 A
6.4		Battery voltage/nominal capacity K5	(V)/(Ah) or kWh	80/775	80/775	80/930	80/775	80/930
6.4a		Battery energy content	kWh	49.6	49.6	59.52	49.6	59.52
6.5		Battery weight (±5%)	kg	1863	1863	2178	1863	2178
6.6		Energy consumption according to EN 16796	kWh/h	8.5	9	9.1	9.4	9.5
6.6.1		CO2 equivalent compliant with EN 16796	kg/h	4.59	4.86	4.92	5.08	5.13
6.7	Turnover output compliant with VDI 2198	t/h	261.0	296.0	296.0	330.0	331.0	
6.8	Turnover efficiency compliant with VDI 2198	t/kWh	27.5	29.4	30.1	31.3	32.3	
Others	8.1	Type of drive unit		Microprocessor	Microprocessor	Microprocessor	Microprocessor	Microprocessor
	10.1	Working pressure for accessory equipment	bar	170	170	170	170	170
	10.2	Oil volume for accessory equipment	l/min	55	55	55	55	55
	10.7	Sound pressure level LpAZ (at the operator's seat)	dB(A)	72	72	72	72	72
	10.8	Towing coupling, design/type, DIN 15 170		Similar DIN 15170-H	Similar DIN 15170-H	Similar DIN 15170-H	Similar DIN 15170-H	Similar DIN 15170-H
11.2	Stability		1.57	1.49	1.55	1.5	1.51	

1) incl. battery, lines 6.4/6.5.

2) incl. a = 200 mm safety distance

TECHNICAL DATA (according to VDI 2198)

Characteristics	1.1	Manufacturer (short name)		Linde MH	Linde MH	Linde MH	Linde MH	Linde MH
	1.2	Manufacturer's model designation		E50/500 HL	E50/600 HL	E40/600 H Beverage	E45/600 HL Beverage	E50/500 HL Beverage
	1.2a	Series		1254-01	1254-01	1254-01	1254-01	1254-01
	1.3	Drive		Battery	Battery	Battery	Battery	Battery
	1.4	Operation		Seated	Seated	Seated	Seated	Seated
	1.5	Load capacity/load	Q (t)	4.99	4.99	4.0	4.5	4.99
	1.6	Load centre distance	c (mm)	500	600	600	600	500
	1.8	Load spacing	x (mm)	510.2	510.2	510.2	510.2	510.2
	1.9	Wheel base	y (mm)	2070	2070	1925	2070	2070
Weights	2.1	Empty weight	kg	7412 ¹⁾	7855 ¹⁾	7507 ¹⁾	7910 ¹⁾	7909 ¹⁾
	2.2	Axle load with load, front/rear	kg	11,175/1227	11,470/1375	10,161/1346	10,971/1439	11,470/1429
	2.3	Axle weight without front/rear load	kg	3750/3662 ¹⁾	3804/4051 ¹⁾	3854/3653 ¹⁾	4058/3852 ¹⁾	4045/3864 ¹⁾
Wheels/Tyres	3.1	Tyres solid rubber, SE, pneumatic, polyurethane		SE	SE	SE	SE	SE
	3.2	Tyre size, front		355/50-15	355/50-15	355/50-15	355/50-15	355/50-15
	3.3	Tyre size, rear		225/75-10 (23x9-10)	225/75-10 (23x9-10)	225/75-10 (23x9-10)	225/75-10 (23x9-10)	225/75-10 (23x9-10)
	3.5	Wheels, number front/rear (x = driven)		2x/2	2x/2	2x/2	2x/2	2x/2
	3.6	Track width, front	b10 (mm)	1159	1159	1159	1159	1159
	3.7	Track width, rear	b11 (mm)	1081	1081	1081	1081	1081
	Dimensions	4.1	Mast/fork carriage tilt, forward/backward	α/β (°)	5.0/8.0	5.0/8.0	5.0/8.0	5.0/8.0
4.2		Height of mast, lowered	h1 (mm)	2419	2419	2919	2919	3019
4.3		Free lift	h2 (mm)	150	150	150	150	150
4.4		Lift	h3 (mm)	2900	2900	4100	4100	4100
4.5		Height of mast, extended	h4 (mm)	3917	3917	5017	5017	5117
4.7		Height above overhead guard (cabin)	h6 (mm)	2415	2415	2815	2815	2815
4.8		Seat height relative to SIP/stand height	h7 (mm)	1292	1292	1692	1692	1692
4.12		Clutch height	h10 (mm)	675	674	675	675	675
4.19		Overall length	l1 (mm)	3901	4121	3976	4101	3901
4.20		Length including fork backs	l2 (mm)	2901	2921	2776	2901	2901
4.21		Overall width	b1/b2 (mm)	1454	1454	1454	1454	1454
4.22		Prong dimensions DIN ISO 2331	s/e/l (mm)	60 × 130 × 1000	60 × 130 × 1200	60 × 130 × 1200	60 × 130 × 1200	60 × 130 × 1000
4.23		Fork carriage ISO 2328, class/type A, B		3A	3A	3A	3A	3A
4.24		Fork carriage width	b3 (mm)	1350	1350	1350	1350	1350
4.31		Ground clearance under mast	m1 (mm)	158	158	159	158	158
4.32		Ground clearance, centre of wheelbase	m2 (mm)	160	160	161	160	160
4.34.1		Working aisle width for pallet 1000 × 1200 crossways	Ast (mm)	4216 ²⁾	4236 ²⁾	4091 ²⁾	4216 ²⁾	4216 ²⁾
4.34.2		Working aisle width with pallet 800 × 1200 lengthways	Ast (mm)	4347 ²⁾	4367 ²⁾	4222 ²⁾	4347 ²⁾	4347 ²⁾
4.35		Turning radius	Wa (mm)	2391	2411	2266	2391	2391
4.36	Smallest pivoting distance	b13 (mm)	0	0	0	0	0	
Performance	5.1	Travel speed, with/without load	km/h	20/20	20/20	20/20	20/20	20/20
	5.2	Lifting speed, with/without load	m/s	0.39/0.51	0.39/0.51	0.47/0.55	0.43/0.55	0.39/0.51
	5.3	Lowering speed, with/without load	m/s	0.54/0.56	0.54/0.56	0.55/0.55	0.55/0.55	0.54/0.56
	5.5	Tractive force, with/without load	N	6500/6500	6500/6500	6500/6500	6500/6500	6500/6500
	5.6	Maximum tractive force, with/without load	N	19,000/19,000	19,000/19,000	19,000/19,000	19,000/19,000	19,000/19,000
	5.7	Climbing ability, with/without load	%	9.0/17.0	9.0/15.0	10.0/16.0	9.0/15.0	9.0/15.0
	5.8	Maximum climbing ability, with/without load	%	15.3/27.7	14.7/25.9	16.7/27.3	15.3/25.7	14.6/25.7
	5.9	Acceleration time, with/without load	s	6.1/5.1	6.2/5.2	5.9/5.1	6.1/5.2	6.2/5.2
	5.10	Service brake		mech./elect.	mech./elect.	mech./elect.	mech./elect.	mech./elect.
	Drive	6.1	Drive motor, output with S2 60 min	kW	2x 12.5	2x 12.5	2x 12.5	2x 12.5
6.2		Lift motor rating at S3 15%	kW	28	28	28	28	28
6.3		Battery compliant with DIN 43531/35/36 A, B, C, no		43 536 A	43 536 A	43 536 A	43 536 A	43 536 A
6.4		Battery voltage/nominal capacity K5	(V)/(Ah) or kWh	80/930	80/930	80/775	80/930	80/930
6.4a		Battery energy content	kWh	59.52	59.52	49.6	59.52	59.52
6.5		Battery weight (±5%)	kg	2178	2178	1863	2178	2178
6.6		Energy consumption according to EN 16796	kWh/h	10	10.4	9.3	9.6	10.4
6.6.1		CO2 equivalent compliant with EN 16796	kg/h	5.4	5.62	5.03	5.19	5.62
6.7	Turnover output compliant with VDI 2198	t/h	350.0	343.0	295.0	306.0	348.0	
6.8	Turnover efficiency compliant with VDI 2198	t/kWh	33.0	31.3	29.3	29.2	31.7	
Others	8.1	Type of drive unit		Microprocessor	Microprocessor	Microprocessor	Microprocessor	Microprocessor
	10.1	Working pressure for accessory equipment	bar	170	170	170	170	170
	10.2	Oil volume for accessory equipment	l/min	55	55	55	55	55
	10.7	Sound pressure level LpAZ (at the operator's seat)	dB(A)	72	72	72	72	72
	10.8	Towing coupling, design/type, DIN 15 170		Similar DIN 15170-H	Similar DIN 15170-H	Similar DIN 15170-H	Similar DIN 15170-H	Similar DIN 15170-H
11.2	Stability		1.5	1.51	1.58	1.6	1.59	

1) incl. battery, lines 6.4/6.5.

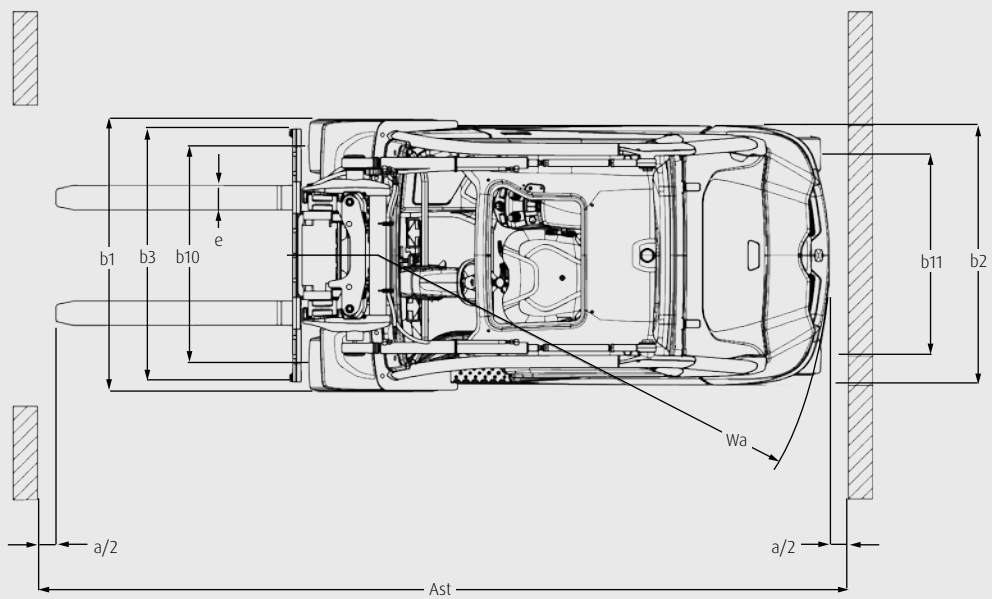
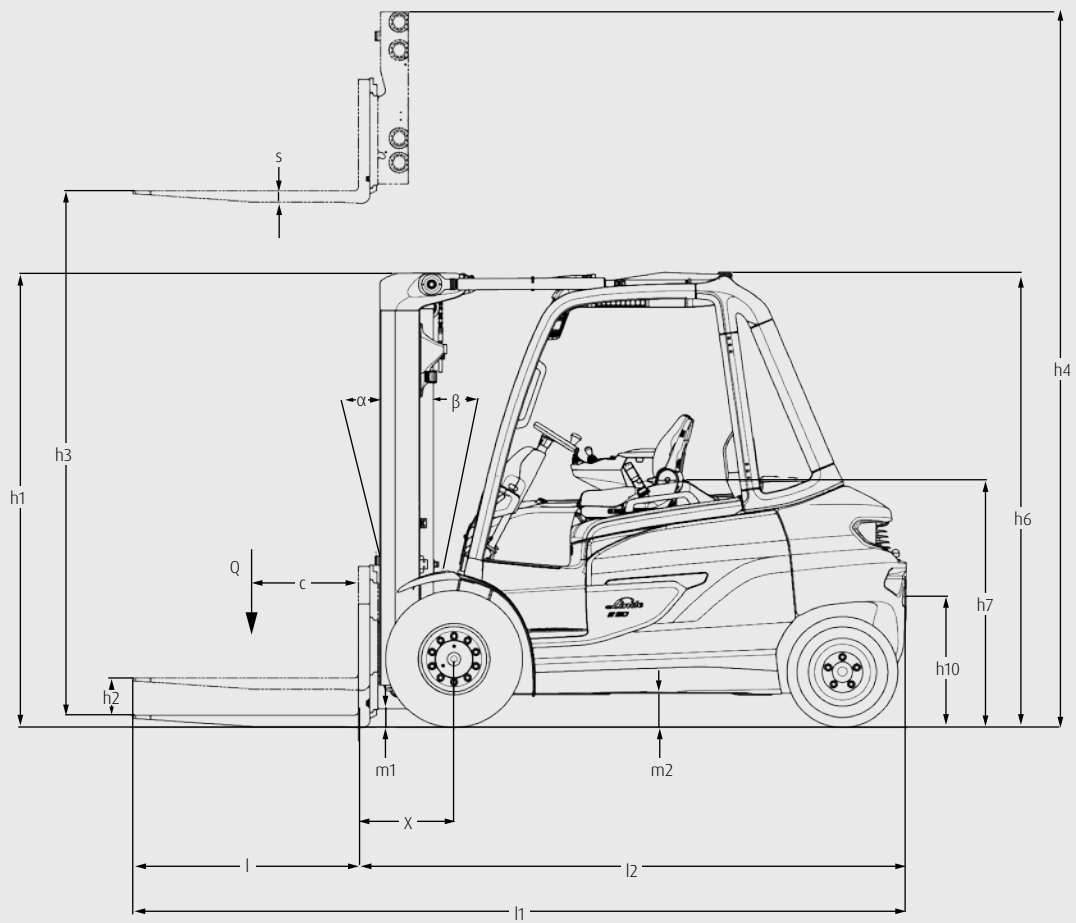
2) incl. a = 200 mm safety distance

TECHNICAL DATA (according to VDI 2198)

Characteristics	1.1	Manufacturer (short name)		Linde MH	Linde MH	Linde MH
	1.2	Manufacturer's model designation		E40/600 HL Container	E45/600 HL Container	E50/600 HL Container
	1.2a	Series		1254-01	1254-01	1254-01
	1.3	Drive		Battery	Battery	Battery
	1.4	Operation		Seated	Seated	Seated
	1.5	Load capacity/load	Q (t)	4.0	4.5	4.99
	1.6	Load centre distance	c (mm)	600	600	600
	1.8	Load spacing	x (mm)	510.2	510.2	510.2
	1.9	Wheel base	y (mm)	2070	2070	2070
Weights	2.1	Empty weight	kg	7033 ¹⁾	7378 ¹⁾	7796 ¹⁾
	2.2	Axle load with load, front/rear	kg	9854/1179	10,640/1238	11,407/1379
	2.3	Axle weight without front/rear load	kg	3709/3324 ¹⁾	3727/3651 ¹⁾	3741/4055 ¹⁾
Wheels/Tyres	3.1	Tyres solid rubber, SE, pneumatic, polyurethane		SE	SE	SE
	3.2	Tyre size, front		355/45-15(28x12.5-15)	355/45-15(28x12.5-15)	355/45-15(28x12.5-15)
	3.3	Tyre size, rear		225/75-10 (23x9-10)	225/75-10 (23x9-10)	225/75-10 (23x9-10)
	3.5	Wheels, number front/rear (x = driven)		2x/2	2x/2	2x/2
	3.6	Track width, front	b10 (mm)	1159	1159	1159
	3.7	Track width, rear	b11 (mm)	1081	1081	1081
	Dimensions	4.1	Mast/fork carriage tilt, forward/backward	α/β (°)	5.0/8.0	5.0/7.0
4.2		Height of mast, lowered	h1 (mm)	2206	2206	2206
4.3		Free lift	h2 (mm)	150	150	150
4.4		Lift	h3 (mm)	2700	2700	2500
4.5		Height of mast, extended	h4 (mm)	3604	3604	3504
4.7		Height above overhead guard (cabin)	h6 (mm)	2210	2210	2210
4.8		Seat height relative to SIP/stand height	h7 (mm)	1269	1269	1269
4.12		Clutch height	h10 (mm)	678	677	676
4.19		Overall length	l1 (mm)	4101	4101	4121
4.20		Length including fork backs	l2 (mm)	2901	2901	2921
4.21		Overall width	b1/b2 (mm)	1454	1454	1454
4.22		Prong dimensions DIN ISO 2331	s/e/l (mm)	60 × 130 × 1200	60 × 130 × 1200	60 × 130 × 1200
4.23		Fork carriage ISO 2328, class/type A, B		3A	3A	3A
4.24		Fork carriage width	b3 (mm)	1350	1350	1350
4.31		Ground clearance under mast	m1 (mm)	148	147	146
4.32		Ground clearance, centre of wheelbase	m2 (mm)	153	153	153
4.34.1		Working aisle width for pallet 1000 × 1200 crossways	Ast (mm)	4216 ²⁾	4216 ²⁾	4236 ²⁾
4.34.2		Working aisle width with pallet 800 × 1200 lengthways	Ast (mm)	4347 ²⁾	4347 ²⁾	4367 ²⁾
4.35		Turning radius	Wa (mm)	2391	2391	2411
4.36		Smallest pivoting distance	b13 (mm)	0	0	0
Performance		5.1	Travel speed, with/without load	km/h	20/20	20/20
	5.2	Lifting speed, with/without load	m/s	0.47/0.55	0.43/0.55	0.39/0.51
	5.3	Lowering speed, with/without load	m/s	0.55/0.55	0.55/0.55	0.54/0.56
	5.5	Tractive force, with/without load	N	6500/6500	6500/6500	6500/6500
	5.6	Maximum tractive force, with/without load	N	19,000/19,000	19,000/19,000	19,000/19,000
	5.7	Climbing ability, with/without load	%	11.0/18.0	10.0/17.0	9.0/16.0
	5.8	Maximum climbing ability, with/without load	%	18.1/30.4	16.6/28.8	15.3/27.0
	5.9	Acceleration time, with/without load	s	5.9/5.0	6.0/5.1	6.2/5.2
	5.10	Service brake		mech./elect.	mech./elect.	mech./elect.
	Drive	6.1	Drive motor, output with S2 60 min	kW	2x 12.5	2x 12.5
6.2		Lift motor rating at S3 15%	kW	28	28	28
6.3		Battery compliant with DIN 43531/35/36 A, B, C, no		43 536 A	43 536 A	43 536 A
6.4		Battery voltage/nominal capacity K5	(V)/(Ah) or kWh	80/930	80/930	80/930
6.4a		Battery energy content	kWh	59.52	59.52	59.52
6.5		Battery weight (±5%)	kg	2178	2178	2178
6.6		Energy consumption according to EN 16796	kWh/h	9	9.4	10.4
6.6.1		CO2 equivalent compliant with EN 16796	kg/h	4.86	5.08	5.62
6.7	Turnover output compliant with VDI 2198	t/h	275.0	308.0	343.0	
6.8	Turnover efficiency compliant with VDI 2198	t/kWh	28	30.1	31.4	
Others	8.1	Type of drive unit		Microprocessor	Microprocessor	Microprocessor
	10.1	Working pressure for accessory equipment	bar	170	170	170
	10.2	Oil volume for accessory equipment	l/min	55	55	55
	10.7	Sound pressure level LpAZ (at the operator's seat)	dB(A)	72	72	72
	10.8	Towing coupling, design/type, DIN 15 170		Similar DIN 15170-H	Similar DIN 15170-H	Similar DIN 15170-H
11.2	Stability		1.55	1.51	1.52	

1) incl. battery, lines 6.4/6.5.

2) incl. a = 200 mm safety distance



MAST TABLES

STANDARD MAST (in mm)

Series	1534						
Lift	h3: 2700 ¹⁾	h3: 3100	h3: 3200	h3: 3700	h3: 4100	h3: 4400	h3: 5000
Height measurements	h1: 2210 h2: 150 h4: 3605	h1: 2420 h2: 150 h4: 4020	h1: 2470 h2: 150 h4: 4120	h1: 2720 h2: 150 h4: 4620	h1: 2920 h2: 150 h4: 5020	h1: 3070 h2: 150 h4: 5320	h1: 3370 h2: 150 h4: 5920
Manufacturer's model designation							
E35/600 H	—	○	○	○	○	○	○
E40/600 H/HL	○	○	○	○	○	○	○
E45/600 H/HL	○	○	○	○	○	○	○
E40/600 H Beverage (Container)	—	—	—	—	○	○	—
E45/600 HL Beverage (Container)	—	—	—	—	○	○	—
Lift	h3: 2500 ¹⁾	h3: 2900	h3: 3200	h3: 3700	h3: 4100	h3: 4400	h3: 5000
Height measurements	h1: 2210 h2: 150 h4: 3505	h1: 2420 h2: 150 h4: 3920	h1: 2570 h2: 150 h4: 4220	h1: 2820 h2: 150 h4: 4720	h1: 3020 h2: 150 h4: 5120	h1: 3170 h2: 150 h4: 5420	h1: 3470 h2: 150 h4: 6020
Manufacturer's model designation							
E50/500 HL	—	○	○	○	○	○	○
E50/600 HL	○	○	○	○	○	○	○
E50/500 HL Beverage (Container)	—	—	—	—	○	○	—

DUPLEX MAST (in mm)

Series	1534		
Lift	h3: 2730 ¹⁾	h3: 3130	h3: 3730
Height measurements	h1: 2170 h2: 1225 h4: 3665	h1: 2380 h2: 1425 h4: 4080	h1: 2680 h2: 1725 h4: 4680
Manufacturer's model designation			
E35/600 H	—	○	○
E40/600 H/HL	○	○	○
E45/600 H/HL	○	○	○

Series	1534		
Lift	h3: 2530 ¹⁾	h3: 3130	h3: 3730
Height measurements	h1: 2170 h2: 1125 h4: 3565	h1: 2480 h2: 1425 h4: 4180	h1: 2780 h2: 1725 h4: 4780
Manufacturer's model designation			
E50/500 HL	—	○	○
E50/600 HL	○	○	○

TRIPLEX MAST (in mm)

Series	1534				
Lift	h3: 4075 ¹⁾	h3: 4675	h3: 5365	h3: 5865	h3: 6315
Height measurements	h1: 2160 h2: 1225 h4: 5005	h1: 2380 h2: 1425 h4: 5620	h1: 2630 h2: 1675 h4: 6310	h1: 2830 h2: 1875 h4: 6810	h1: 2980 h2: 2025 h4: 7260
Manufacturer's model designation					
E35/600 H	—	○	○	—	○
E40/600 H/HL	○	○	○	—	○
E45/600 H/HL	○	○	○	—	○
E40/600 H Beverage (Container)	—	—	—	○	—
E45/600 HL Beverage (Container)	—	—	—	○	—
Lift	h3: 3775 ¹⁾	h3: 4375	h3: 4615	h3: 5565	h3: 6015
Height measurements	h1: 2170 h2: 1175 h4: 4760	h1: 2375 h2: 1375 h4: 5375	h1: 2475 h2: 1475 h4: 5615	h1: 2825 h2: 1825 h4: 6565	h1: 2975 h2: 1975 h4: 7015
Manufacturer's model designation					
E50/500 HL	—	○	○	—	—
E50/600 HL	○	○	○	—	—
E50/500 HL Beverage (Container)	—	—	—	○	○

1) Container version ○ Optional equipment — Not available

h1: Height of mast, lowered **h2:** Free lift **h3:** Lift **h4:** Height of mast, extended

Figures for other equipment and triplex masts on request

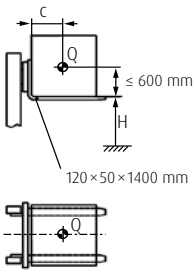
STANDARD AND OPTIONAL EQUIPMENT

Model/Equipment		E35 – E50
Workplace	Innovative isolation concept featuring ring bearings between chassis and drive axle for minimal human vibrations	●
	Ergonomic and safe on/off access due to low non-slip step and handles on the A-pillar and battery cover	●
	Comfort overhead guard for maximum headroom	●
	Fully integrated, powerful heating/air conditioning incl. demisting function	○
	Operator's seat – quick, easy mechanical weight adjustment	●
	Different operator's seat options: heated seats, air suspension, fore/aft suspension, swivelling seat	○
	Steering column with tilt adjustment	○
	3.5" LED colour display with steering angle and tilt angle display	●
	7" LED multifunction colour display integrates additional functions such as cameras and Linde Safety Pilot; Linde Reverse Assist	○
	Armoured glass top screen	○
	Light metal doors with wide-opening window	○
	Radio incl. DAB+, MP3 player and Bluetooth hands-free kit	○
	Drive and Brake System	Twin motor front-wheel drive with electronic traction control
Synchronous Reluctance Motors (SRM) for maximum efficiency in traction and lifting functions		●
Choice of operating settings – economy, efficiency and performance – for individual performance adjustment		●
Automatic parking brake		●
Axles and Tyres	Linde combi steering axle – optimum manoeuvrability in the tightest spaces	●
	Super-Elastic (SE) tyres	●
	Closed shoulder (CS 20) tyres	○
	Non-marking SE tyres with anti-static strap	○
	Dirt deflectors/mud guards, front and rear	○
Mast	High mounted tilt cylinders with maintenance-free bearings	●
	Optimum visibility due to asymmetric nested mast profiles on standard, duplex and triplex masts	●
	Electronically damped tilt stop	●
	Load damping for high degree of driving comfort and load protection	○
Attachments/ Forks	Reinforced Linde forks – easy to adjust and long service life	○
	Roller-guided integral side shift carriage provides full nominal load capacity	○
	Integral fork positioner "VIEW" for high residual load capacity and optimum visibility	○
Safety	Linde Curve Assist – automatic reduction of travel speed around corners	●
	Linde Load Assist – active intervention in forward tilt and lift speed increases safety at high lift heights	●
	Electrical safety belt and/or door monitoring	●
	Linde Safety Pilot – load-dependent driving and lifting speed regulation with additional functions	○
	Linde Safety Guard – warning between trucks, trucks/pedestrians and zone-dependent driving speeds	○
	Reverse Assist Camera	○
	BlueSpot and TruckSpot – visual drive path warning for pedestrians, operators and the environment	○
	Wide choice of lighting options: Headlights, LED light strips, VertiLights	○
Digitalisation	Online data transmission	●
	WiFi data transmission	○
	Linde connect:desk – local fleet management with different functional modules	○
	Pre-Operation Check App – customisable daily inspection log to check the readiness of the truck for operation	○
	Truck Call App – coordination of transport jobs	○
Operation/Load Handling	Twin pedal control – smooth acceleration and quick direction changes	●
	Single pedal control – smooth acceleration	○
	Linde Load Control – central control levers fully integrated into the armrest for precise control of all hydraulic functions	●
	Individual lever control of hydraulic functions	○
	Single, double and triple ancillary hydraulics	○
	Linde Steer Control – ergonomic steering concept integrated into the left armrest for enhanced forward visibility	○
Energy	Easy lateral battery changing from the side and hinged battery cover for daily checking of the lead-acid battery	●
	Li-ION ready	●
	Flexible, simple charging options thanks to convenient rear charging socket	○
	Charge anywhere thanks to fully integrated High Frequency (HF) on-board charger	○
	Fuel cell system	○

● Standard equipment ○ Optional equipment

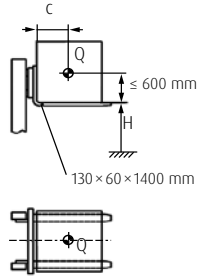
LOAD CAPACITY

E35/600 H



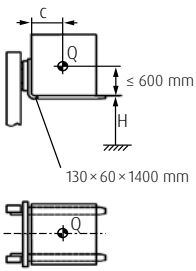
H (mm)	Q (kg)				
6500	3100	2840	2620	2430	
6400	3200	2930	2700	2510	
6300	3300	3020	2790	2590	
6200	3400	3110	2870	2670	
≤ 6100	3500	3200	2960	2750	
c (mm)	400-600	700	800	900	

E40/600 H/HL



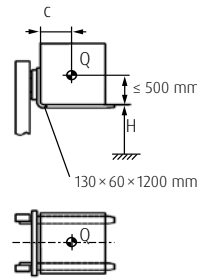
H (mm)	Q (kg)				
6500	3500	3210	2960	2750	
6400	3620	3320	3070	2850	
6300	3750	3440	3170	2950	
6200	3870	3550	3280	3050	
≤ 6100	4000	3660	3380	3140	
c (mm)	400-600	700	800	900	

E45/600 H/HL



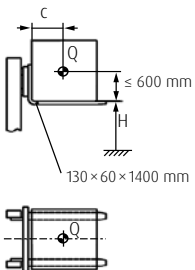
H (mm)	Q (kg)				
6500	3800	3480	3210	2990	
6400	3940	3610	3330	3100	
6300	4080	3740	3450	3210	
6200	4220	3870	3570	3320	
6100	4360	3990	3690	3430	
≤ 6000	4500	4120	3810	3540	
c (mm)	400-600	700	800	900	

E50/500 HL



H (mm)	Q (kg)				
6500	4200	3820	3500	3230	
6400	4400	4000	3670	3390	
6300	4600	4180	3830	3540	
6200	4800	4360	4000	3700	
≤ 6100	5000	4540	4170	3850	
c (mm)	400-500	600	700	800	

E50/600 HL



H (mm)	Q (kg)				
6500	4000	3660	3380	3140	
6400	4200	3850	3550	3300	
6300	4400	4030	3720	3460	
6200	4600	4210	3890	3620	
6100	4800	4400	4060	3770	
≤ 6000	5000	4580	4230	3930	
c (mm)	400-600	700	800	900	

H = Lifting height, c = Load centre, Q = Load capacity
Load capacity for standard mast and fork carriage

CHARACTERISTICS



Panoramic view

Safety

- Narrow mast profile and A-pillar for outstanding all-round visibility
- Linde Curve Assist automatically reduces speed when cornering
- Linde Load Assist warns against risk of tipping when handling loads at height
- Numerous optional assistance systems as well as many warning and light options



Operator's workplace

Ergonomics

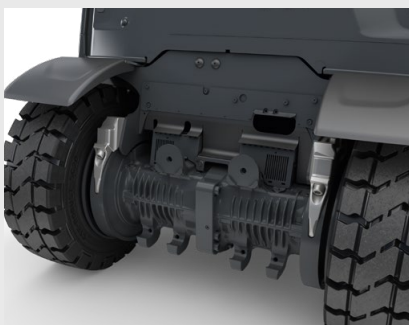
- Spacious operator's compartment, various ergonomic seats and an isolated operator's workstation for exceptional operating comfort
- Standard 3.5-inch display clearly shows all important vehicle information
- Option of steering control mounted on left armrest for greater forward visibility



Linde combi steering axle

Handling

- Outstanding manoeuvrability thanks to twin motor front-wheel drive and combi steer axle
- High-performance synchronous reluctance motors for traction and lift
- Overhead tilt cylinders and torsion-resistant mast design for high residual load capacity
- Twin or single pedal control and Linde Load Control for precise operation
- Optional rear charging access and on-board charger for flexibility in operation



Easy to service

Service

- High vehicle availability thanks to long maintenance intervals, robust truck construction and wear-free components
- Remote software updates and error diagnostics enable preventative servicing and minimise downtime for servicing
- Fast maintenance and repair thanks to easily accessible service components and modular assemblies

Subject to modification in the interest of progress. Illustrations and technical specifications could include options and are not binding for actual constructions. All dimensions subject to usual tolerances.

Presented by:



Linde Material Handling GmbH
Carl-von-Linde-Platz | 63743 Aschaffenburg | Germany
Phone + 49 6021 99 0 | Fax + 49 6021 99 1570
www.linde-mh.com | info@linde-mh.com

Printed in Germany | DS_E35-E50_1254_en_A_0723

